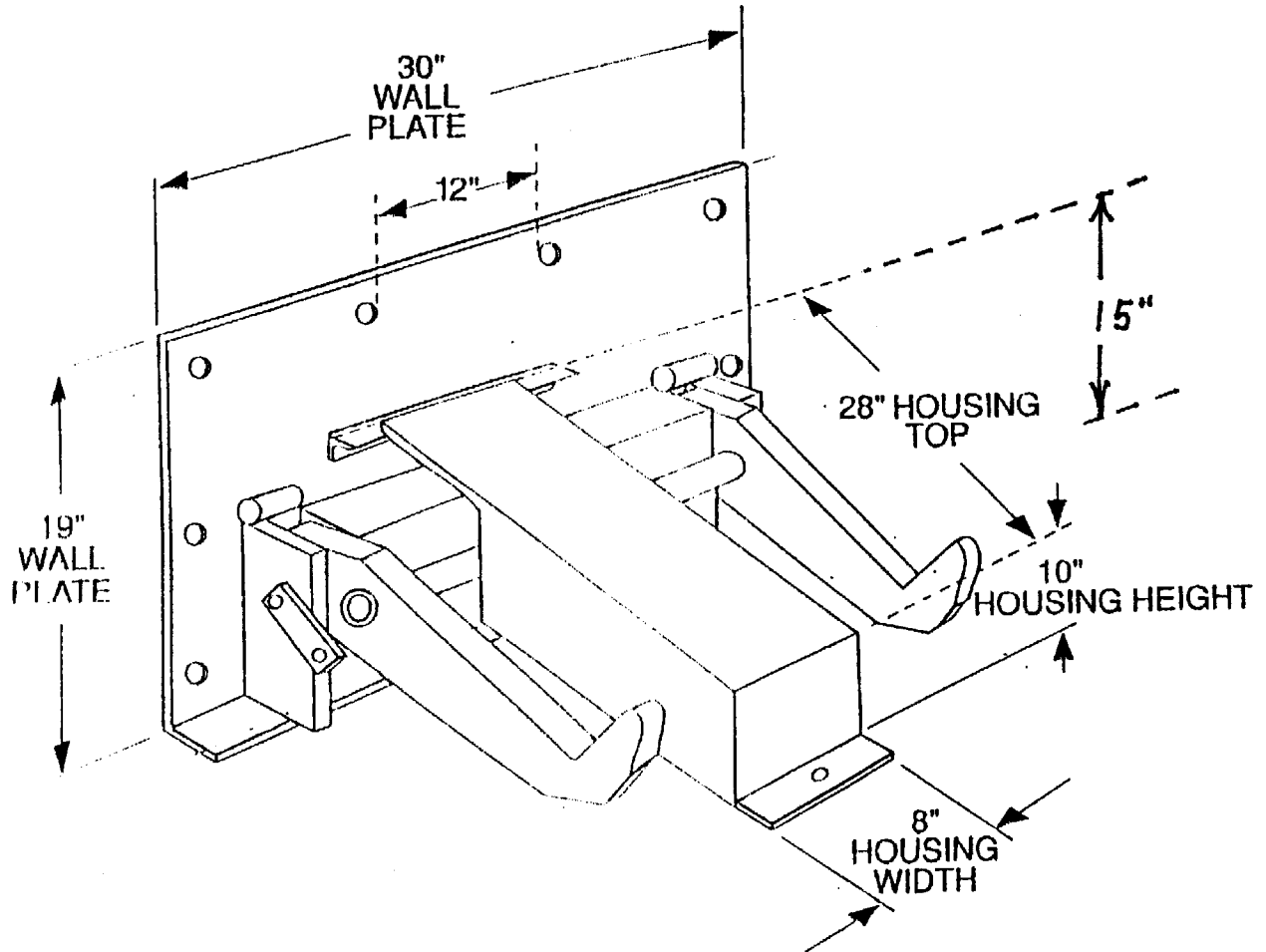


# "ATR 700" SUBMITTAL DRAWING



P.O. Box 1028  
Franklin, TN 37065-1028  
Phone: 800-394-5944  
Fax: 615-371-1774  
Web: [www.aaronbradley.com](http://www.aaronbradley.com)  
Email: [sales@aaronbradley.com](mailto:sales@aaronbradley.com)