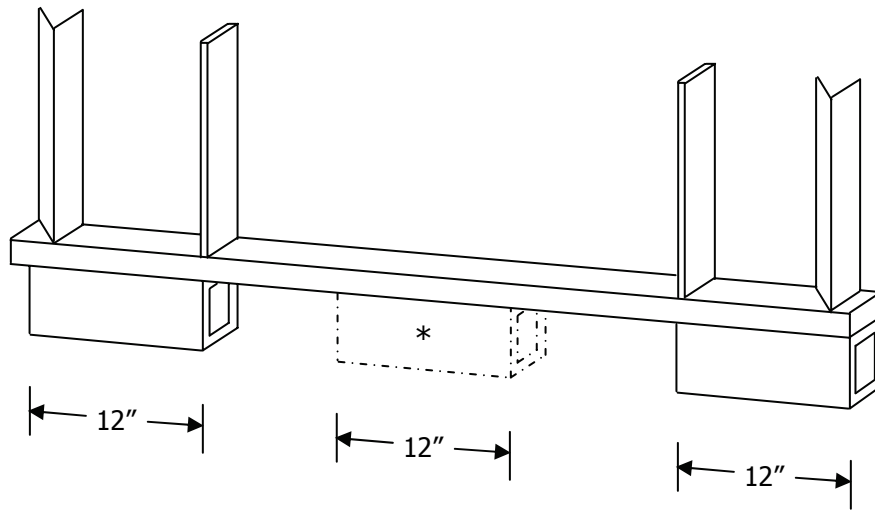




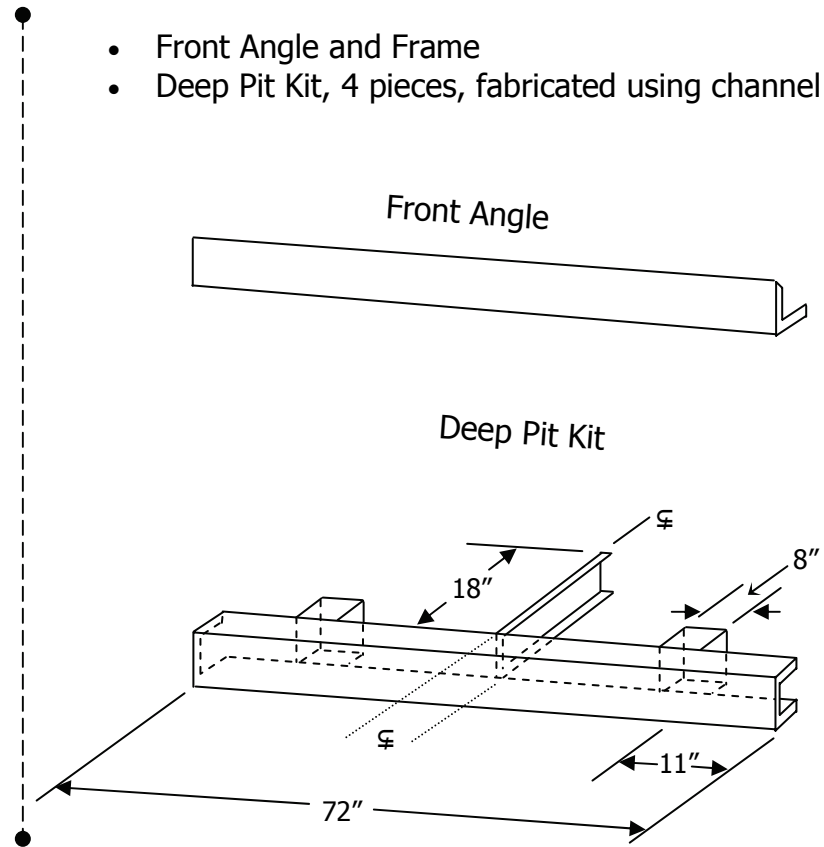
# Deep Pit Kit: 'CS' & 'CHS' Series Dock Levelers

- Rear Uprights and Frame
- Deep Pit Kit, 2 or 3 \* pieces, fabricated using square tubing or channel formed into a box



\* Additional piece required for heavier capacities only

- Front Angle and Frame
- Deep Pit Kit, 4 pieces, fabricated using channel



Drawing is Not To Scale