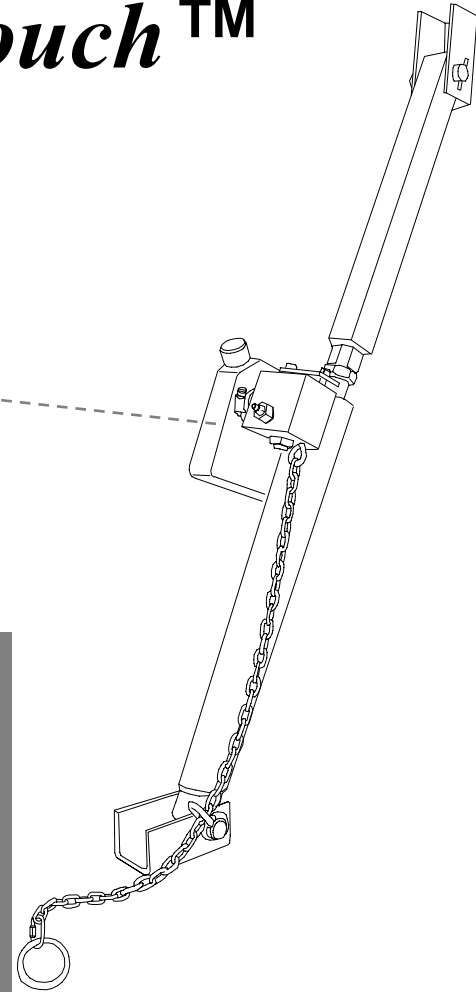
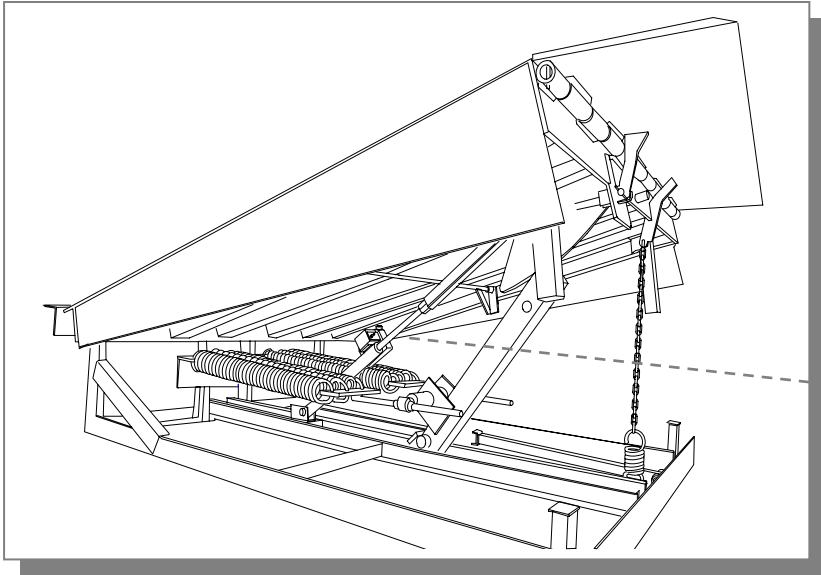


# *MagnaTouch™*



## *MagnaTouch™ Hold-down*

- *This new generation 'Hydraulic Hold-down' assures quick installation and low maintenance*
- *Replaces all mechanical hold-downs without adding any other hook-up*

### ***OTHER PRODUCTS AVAILABLE FOR THE DOCK INDUSTRY:***

- *Mechanical & Hydraulic Levelers - Edge-of-Dock Levelers*
- *Scissor Lifts / Elevating Docks*
- *Dock Seals & Shelters*

**Aaron-Bradley Co., Inc.**

**P.O. Box 1028 ♦ Franklin, TN 37065**

**E-mail: [sales@aaronbradley.com](mailto:sales@aaronbradley.com)**

**Web: [www.aaronbradley.com](http://www.aaronbradley.com)**

