

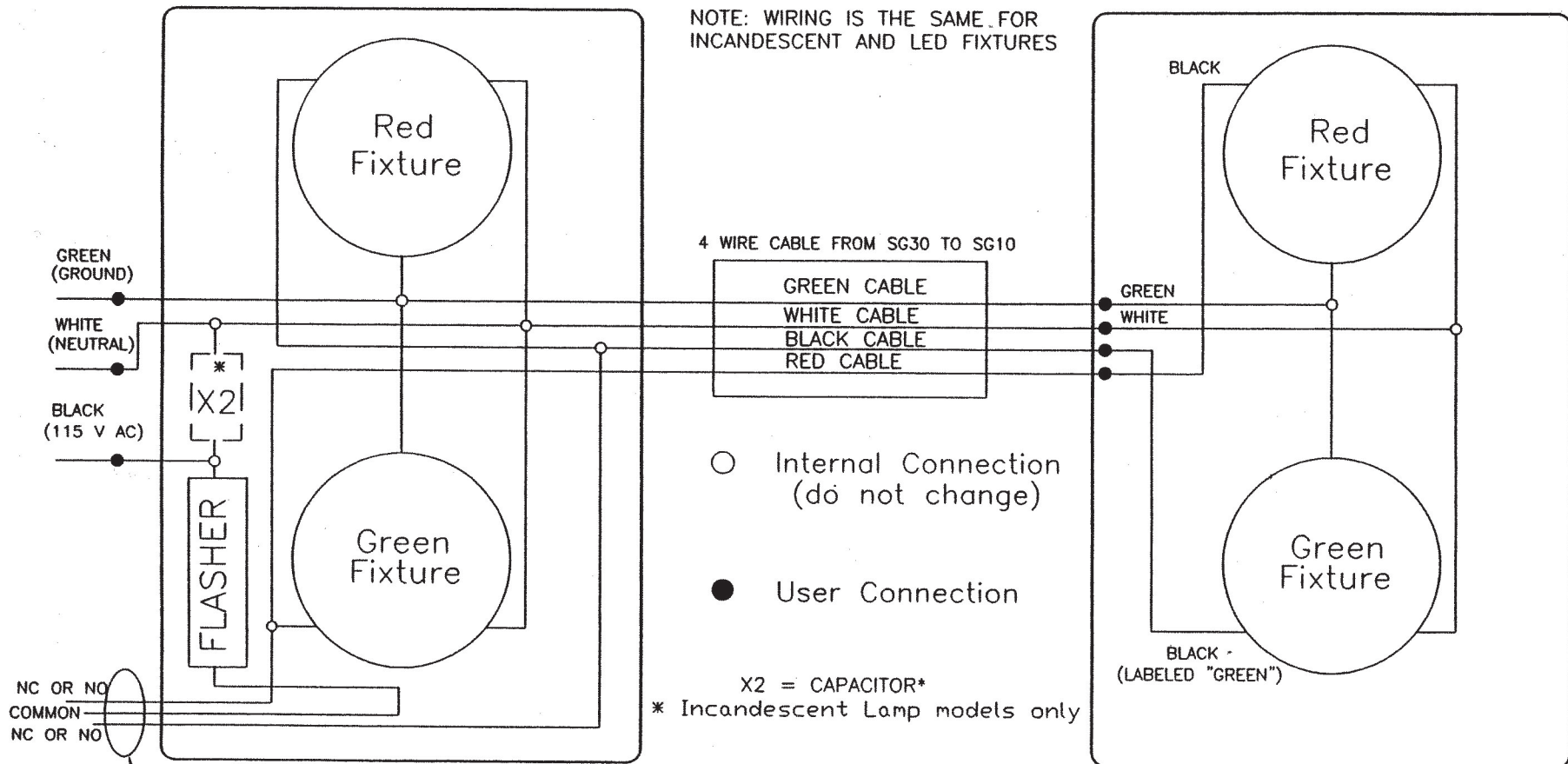
# MVR 105

AC 115V SG30 STOP & GO WIRING DIAGRAM  
(WITHOUT SWITCH—FOR EXTERNALLY CONTROLLED CIRCUITS)

SG20NS-115V CONTROL UNIT

SG10-115V DRONE UNIT

NOTE: WIRING IS THE SAME FOR  
INCANDESCENT AND LED FIXTURES



NC OR NO  
COMMON  
NC OR NO

Three wires to external switch:  
Common connection is WHITE wire.  
GREEN lamp connection is BLACK wire with 'GREEN' tag.  
RED lamp connection is BLACK wire with no tag.