

Molded Bumper

AARON-BRADLEY CO., INC.

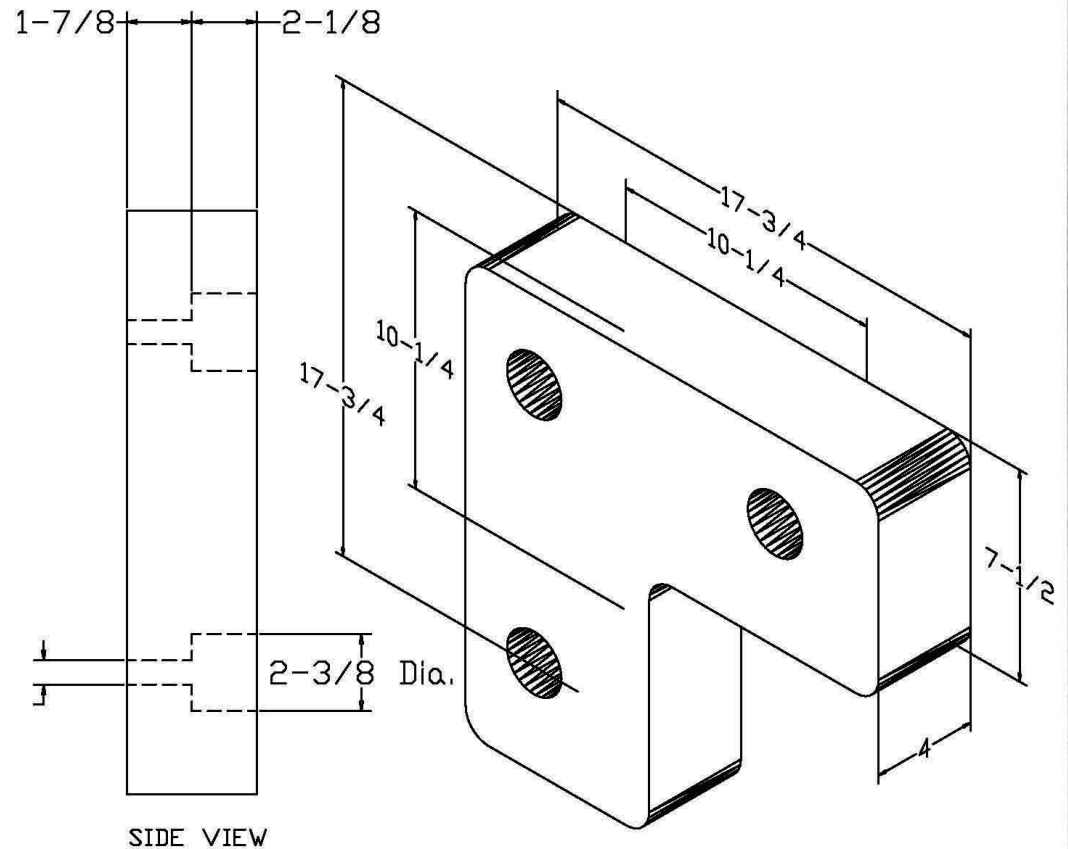
Model L

Dimensions:

(See Drawing at right)

4" - Thickness (projection)

Weight: 33 lbs.



Date: 080128

Scale: Not to Scale