

Molded Bumper

AARON-BRADLEY CO., INC.

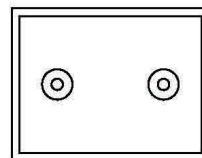
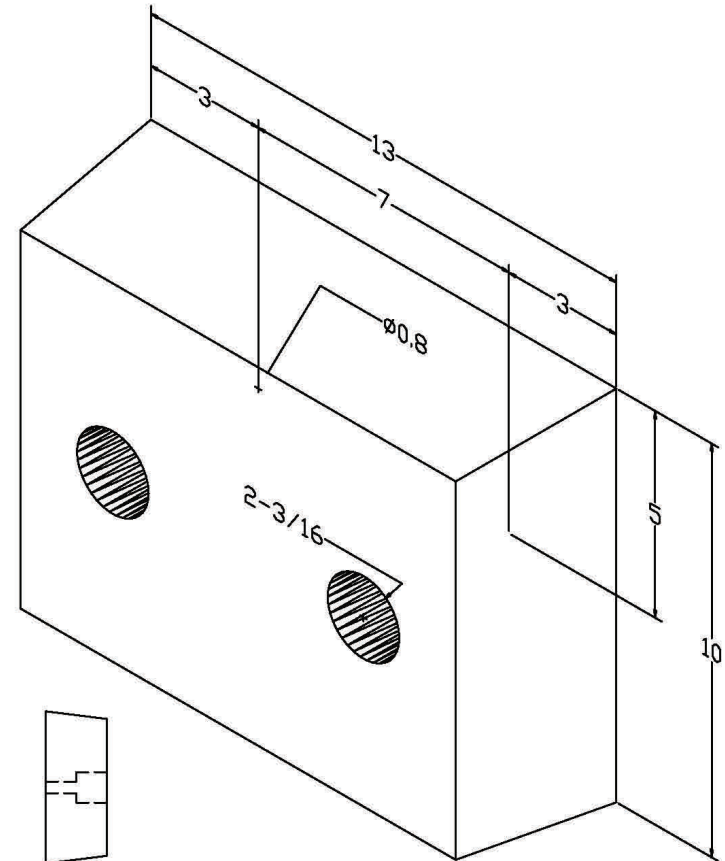
Model R2

Dimensions:

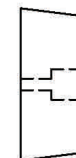
(See Drawing at right)

4" - Thickness (projection)

Weight: 16 lbs.



FRONT VIEW



SIDE VIEW

Date: 080128

Scale: Not to Scale