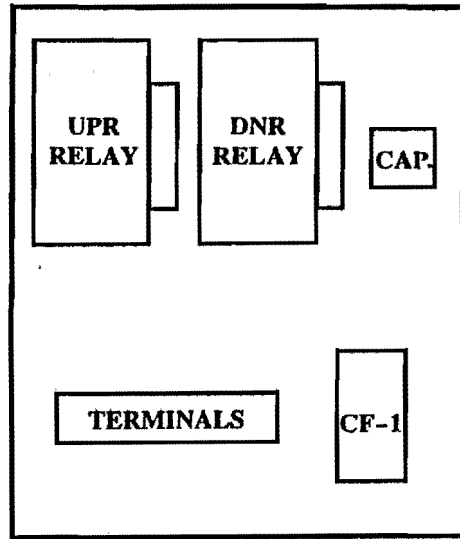
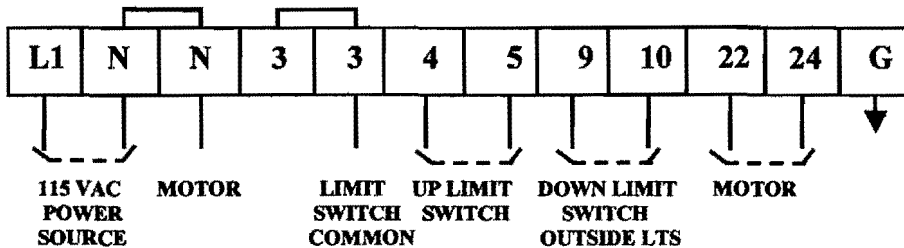


PANEL FRONT VIEW



INTERIOR PANEL LAYOUT



FIELD CONNECTIONS

NOTE: IF MOTOR FAILS TO OPERATE WHEN "LOCK" BUTTON IS PRESSED AT INITIAL STARTUP - SWITCH MOTOR WIRES AT TERMINAL STRIP NUMBERS 22 AND 24 TO CHANGE DC CURRENT PHASE AT MOTOR.

**Panel Layout Drawing ATR-700
Truck Restraint**