

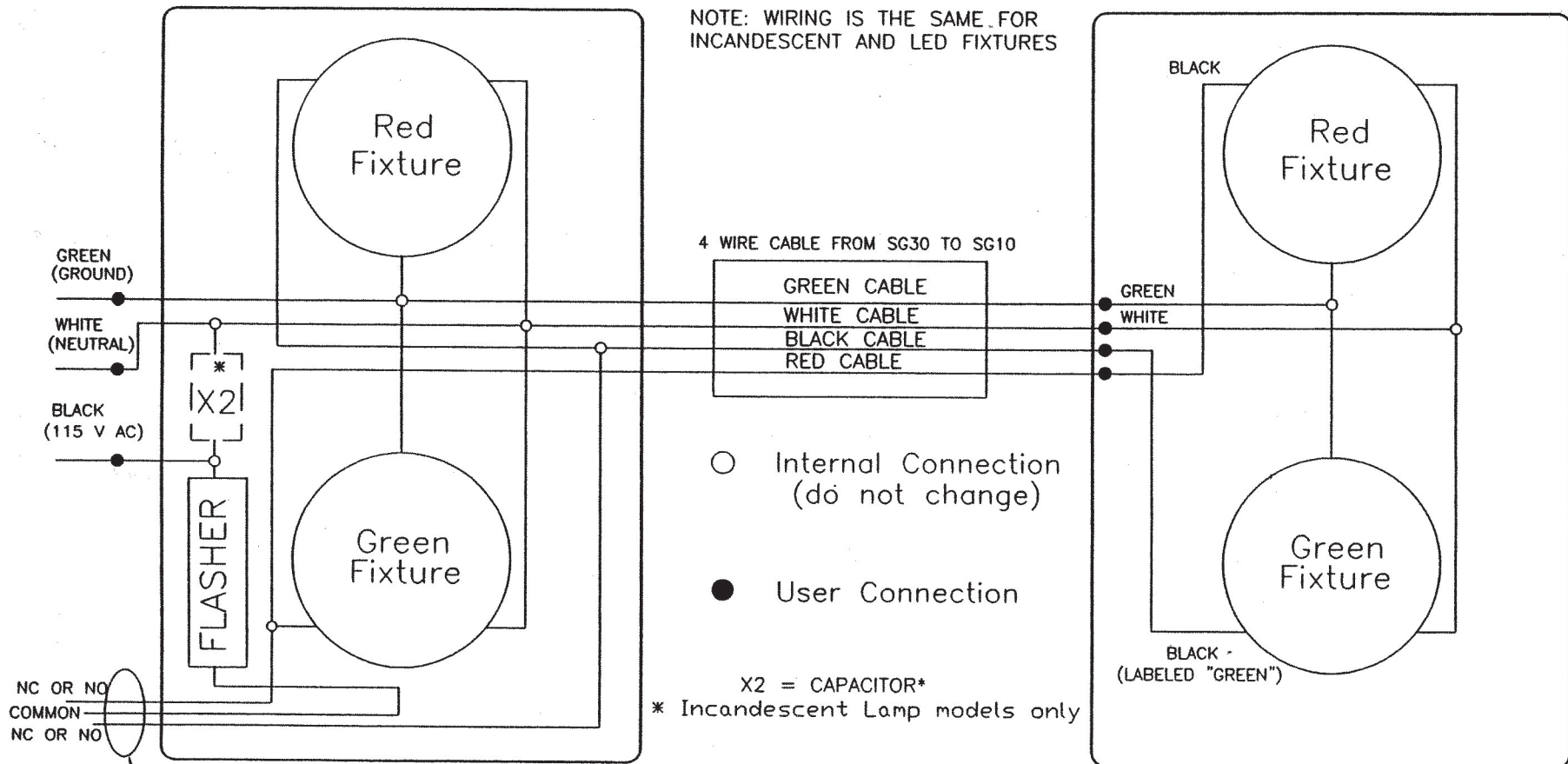
MVR 105

AC 115V SG30 STOP & GO WIRING DIAGRAM
(WITHOUT SWITCH—FOR EXTERNALLY CONTROLLED CIRCUITS)

SG20NS-115V CONTROL UNIT

SG10-115V DRONE UNIT

NOTE: WIRING IS THE SAME FOR
INCANDESCENT AND LED FIXTURES



Three wires to external switch:
Common connection is WHITE wire.
GREEN lamp connection is BLACK wire with 'GREEN' tag.
RED lamp connection is BLACK wire with no tag.