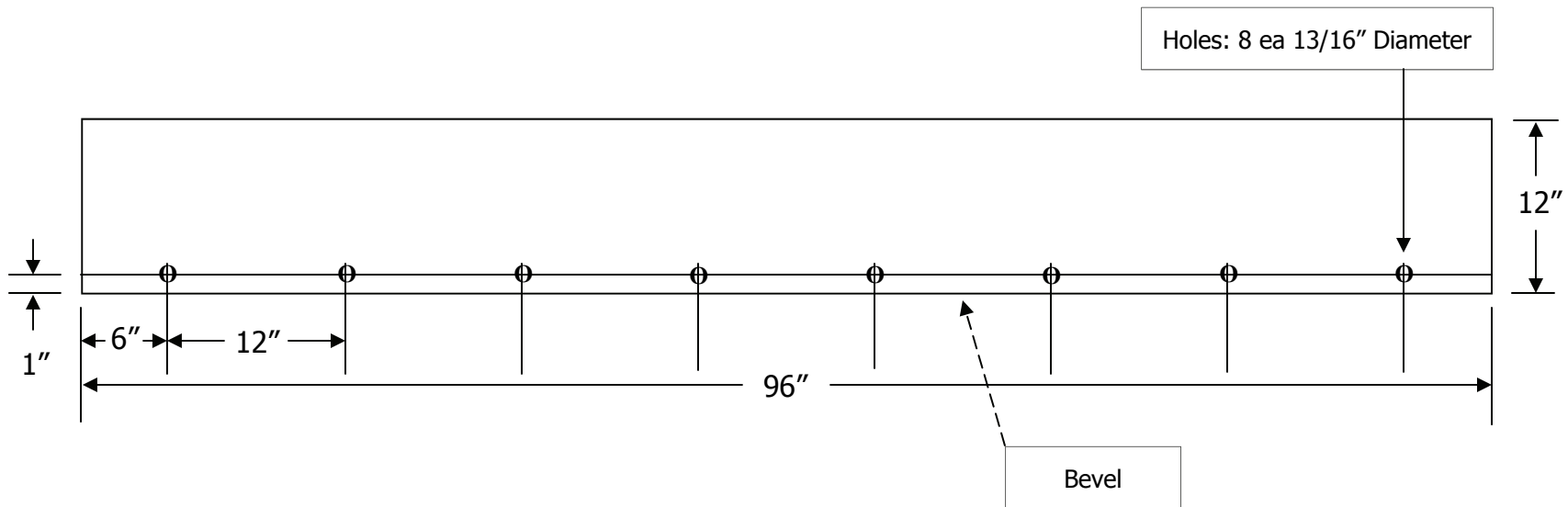




# Approach Plate - Model 129C



Dimensions: 12" W x 96" L ▪ Safety Tread Plate ▪ Flat Plate w/ Bevel

Scale: 1" = 1'