

INSTALLATION INSTRUCTIONS

MECHANICAL PERMA RAIL SHELTER (4-SIDED)

1. Find the centerline of the door opening and the top frame. Use the top frame to mark the unit width on the wall, top & bottom. Strike a line 12" below dock level. (Standard units are mounted 12" below dock level)

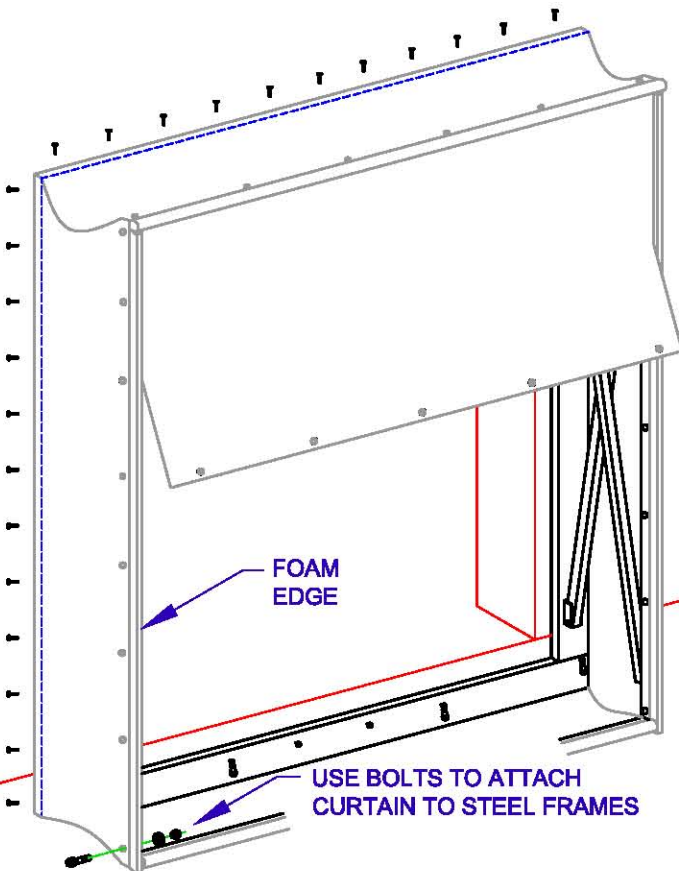
UNIT HEIGHT

12"

UNIT WIDTH

2. Install the bottom of bottom frame 12" below dock, centered on door opening.

USE TOP FRAME TO MARK WIDTH



FOAM EDGE

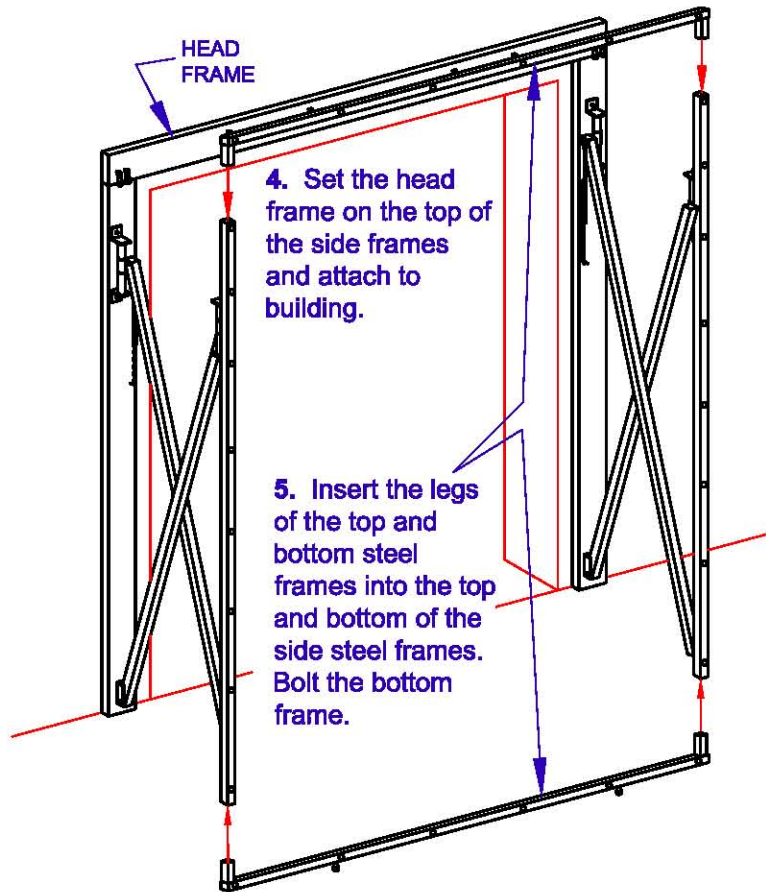
USE BOLTS TO ATTACH CURTAIN TO STEEL FRAMES

3. The side frames are marked "TOP LEFT" and "TOP RIGHT." Install the side frames using the marks on the wall to align the outside edges and 12" below dock. Make sure side frames are plumb.

HEAD FRAME

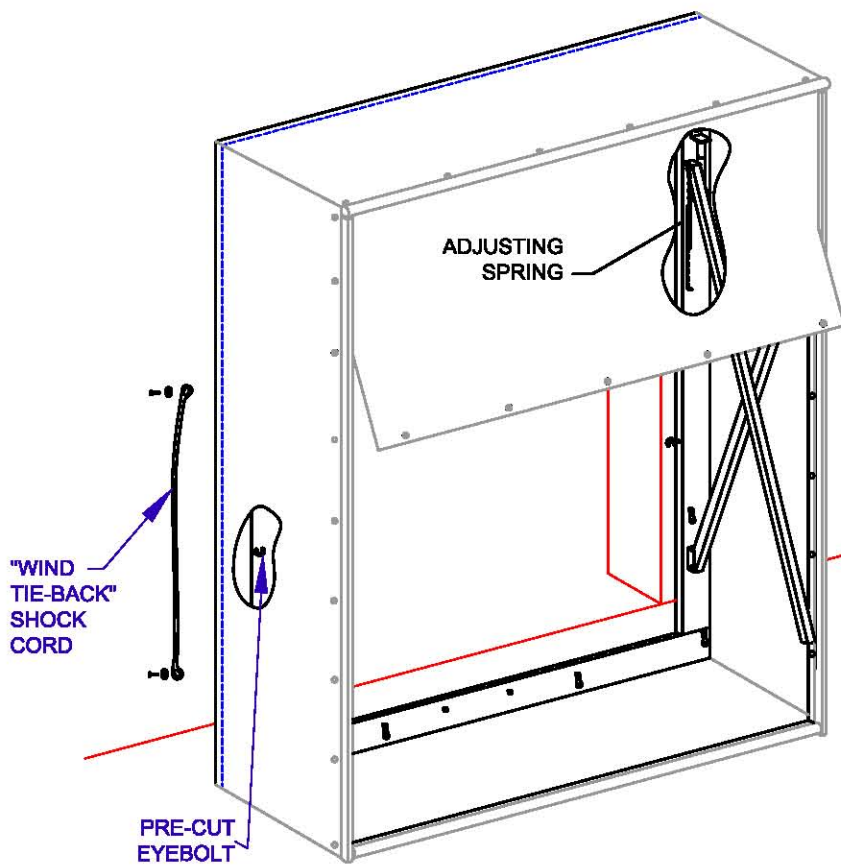
4. Set the head frame on the top of the side frames and attach to building.

5. Insert the legs of the top and bottom steel frames into the top and bottom of the side steel frames. Bolt the bottom frame.



6. Let the steel frame support the shelter cover and nail the hemmed back edge to the wooden frame.

7. Attach the front edge of the shelter cover to the steel frame by wrapping the fabric around the frame (with the foam edge to the front) and bolt through the grommets.



8. Adjust unit tension with springs and chain (just enough tension to keep unit firmly extended).

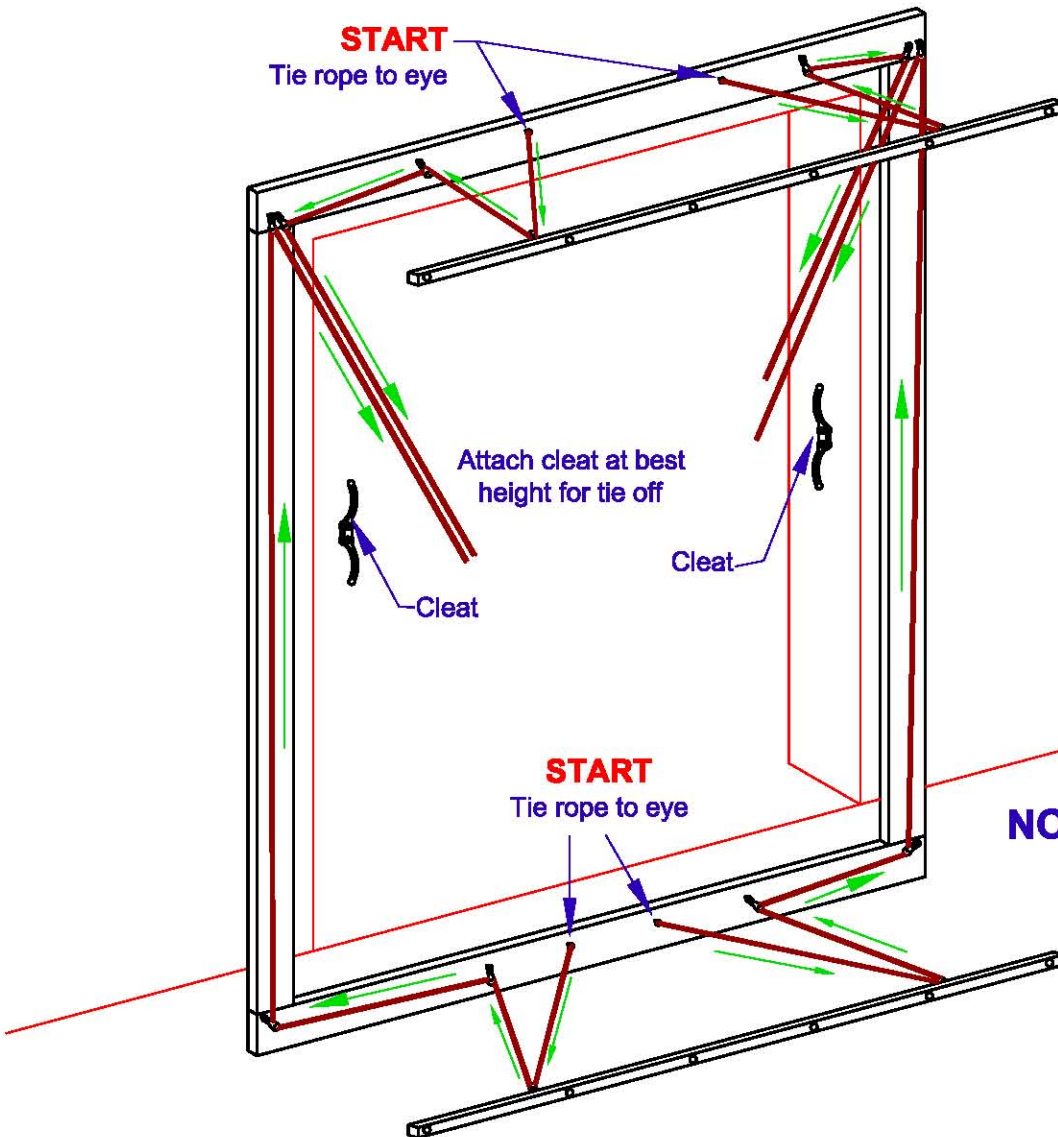
9. Nail molding strips over fabric and caulk around all three sides.

10. Attach side curtain "wind tie-backs" to the wood frame on the outside of the unit using nails and fender washers. When unit is retracted, the cord is stretched around the curtain to the eyebolt inside the unit.

11. String rope per diagram (below).

NOTE: WHEN NOT IN USE, THIS UNIT MUST BE RETRACTED.

STRINGING DIAGRAM



NOTE: Rope is sent in one continuous length. Cut 18" below cleat for each run.