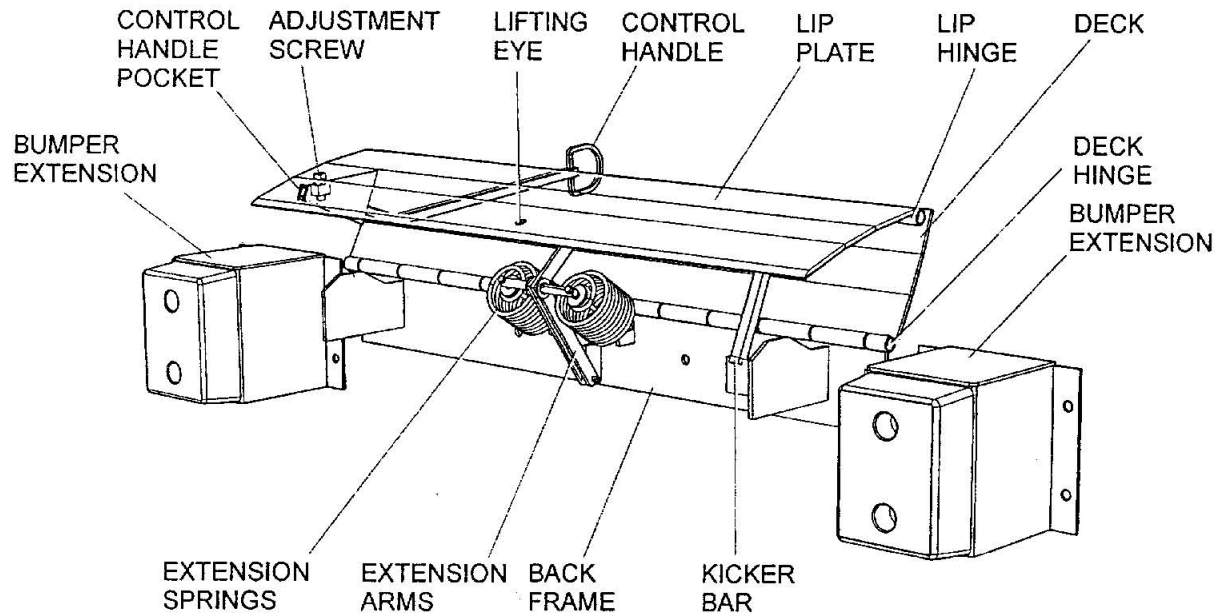


EDGE-OF-DOCK SUBMITTAL DRAWING - BX SERIES



JOB: _____

DEALER: _____

ABC DOCKS, LLC ♦ P.O. BOX 1028 ♦ FRANKLIN, TN 37065-1028 ♦ 800-294-5944 ♦ FAX: 615-371-1754