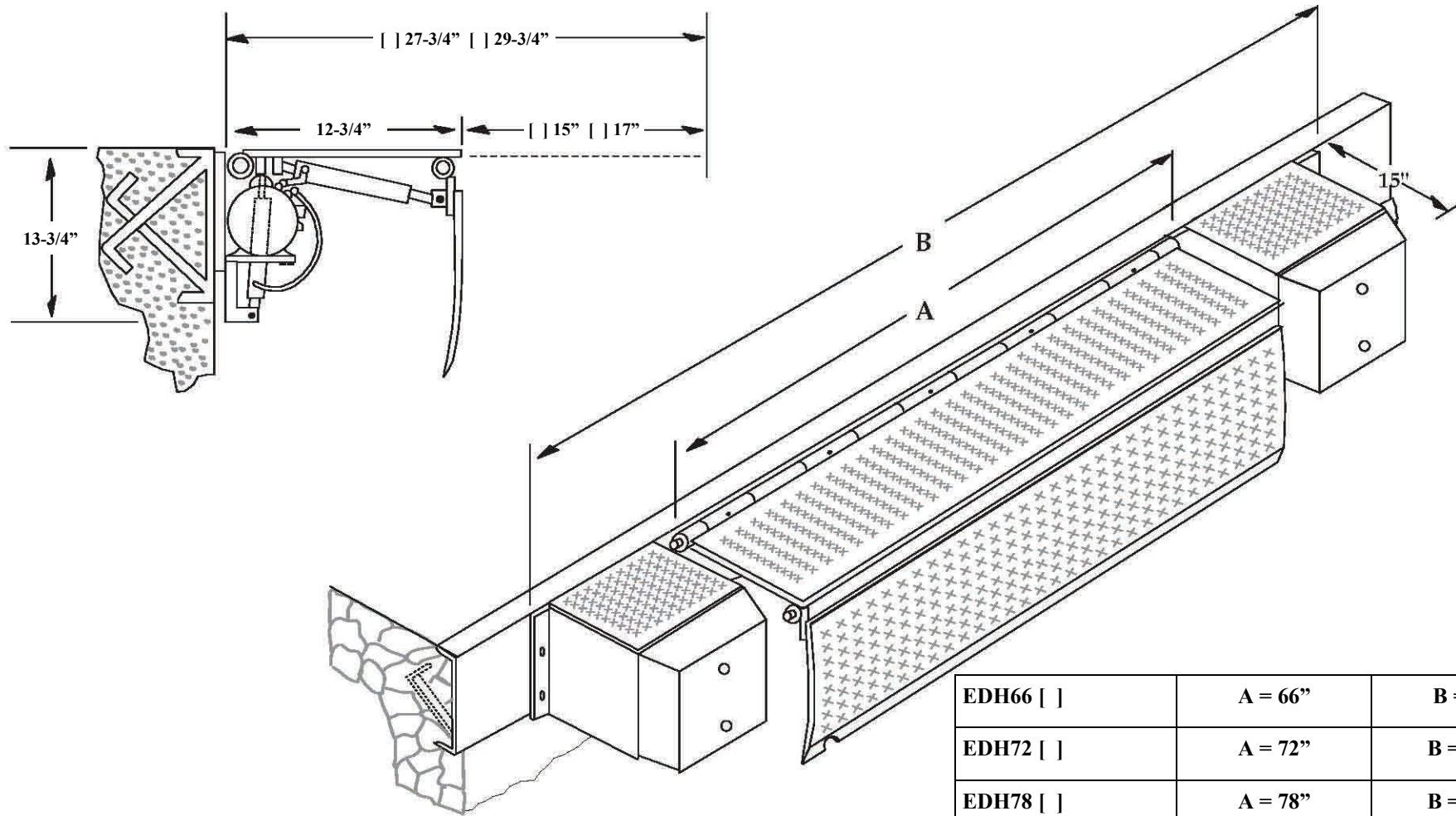


'EDH' Series Hydraulic Edge-of-Dock Submittal Drawing



EDH66 []	A = 66"	B = 96"
EDH72 []	A = 72"	B = 102"
EDH78 []	A = 78"	B = 108"
EDH84 []	A = 84"	B = 114"
Power-pack (1/2 HP)	[] Single Phase	[] 3 Phase
Capacity (x 1,000 lbs.): [] 20 [] 25 [] 30		



ABC DOCKS
 P.O. Box 1028
 Franklin, TN 37065-1028
 Phone: 800-394-5944 Fax: 615-371-1754
 Web: www.aaronbradley.com
 E-mail: sales@aaronbradley.com

Job: